

# IndustrialNet™ M12 D-Code to RJ45 Panel Mount Adapter

## specifications

M12 D-code to RJ45 industrial adapters shall be applicable for use in manufacturing as well as other industrial environments and shall meet or exceed the requirements of the ANSI/TIA-568-C.2 Category 5e, ISO 11801 Class D, IEC 61076-2-101 and ODVA Ethernet/IP standards. The adapter housing shall be constructed of Nylon GF. The adapter shall incorporate an ingress protection rating of IP20 on the RJ45 side and IP68 on the M12 side when mated. The adapter shall offer an extended temperature range as required for more demanding applications. The adapter shall be easily field installable without any special tools.



## technical information

<b>Electrical/mechanical performance:</b>	Exceeds channel requirements of ANSI/TIA-568-C.2 Category 5e and ISO 11801 Class D at swept frequencies up to 100MHz. Meets the requirements of IEC 61076-2-101 and the ODVA Ethernet/IP standard
<b>IEC compliance:</b>	Meets IEC 61076-2-101
<b>IP compliance:</b>	Rated IP20 (RJ45), IP65 (housing), and IP68 (M12 side)
<b>RoHS compliancy status:</b>	Compliant
<b>Temperature rating:</b>	Operating -25°C to 80°C (-13°F to 176°F) Storage -40°C to 80°C (-40°F to 176°F)
<b>Packaging:</b>	1 unit per PE bag, 10 units per carton

## key features and benefits

<b>Robust construction</b>	Nylon GF housing with full 360° shielding for secure data transmission in high noise (EMI/RFI) environments, exceed the requirements of IEC 61076-2-101 for vibration, mating cycles, and insertion/withdrawal force
<b>Field attachable</b>	Can be assembled without any special tools
<b>Extended temperature range</b>	Operating -25°C to 80°C (-13°F to 176°F)

## applications

IndustrialNet™ adapters provide an ideal solution to support Industrial Ethernet from the Local Area Network (LAN) based support offices to the processing devices on the plant floor. The M12 D-code to RJ45 industrial adapter is a key component to an overall Industrial Ethernet application. The adapter will be the interface that protects the integrity of the Ethernet data transfer from the switch or PLC out to the devices or up to the

horizontal plant backbone. The adapter is of a nylon GF construction and fully shielded for use in high noise (EMI/RFI) environments. The adapter is easily field installable for on-site installation and also offers an extended temperature range -25°C to 80°C (-13°F to 176°F) for use in more demanding applications such as manufacturing facilities where temperature extremes are the norm.

### IndustrialNet™ M12 D-Code to RJ45 Panel Mount Adapter

**Panel mount adapter:** ICAM12DRJS

### IndustrialNet™ Category 5e SF/UTP Copper Cable

**CM 4-pair:** ISFCH5C04A\*-XG

### IndustrialNet™ Category 5e F/UTP Copper Cable

**CM 4-pair/ color Black:** IFC5C04BBL-CEG

### IndustrialNet™ Category 5e U/UTP Copper Cable

**CM 4-pair/ color Black:** IUC5C04ABL-CEG

### IndustrialNet™ Category 6 F/UTP Copper Cable

**CM 4-pair/ color Black:** IFC6C04BBL-CEG

### IndustrialNet™ Category 6 U/UTP Copper Cable

**CM 4-pair/ color Black:** IUC6C04ABL-CEG

### IndustrialNet™ Category 6/5e RJ45 Field Terminable Plug

**Field terminable plug:** ISPS688FA

### IndustrialNet™ M12 D-Code Field Terminable Plug

**Field terminable plug:** ISPS5E44M

### IndustrialNet™ Category 5e Shielded 600 V-Rated Patch Cords

**CM/CMX:** \*\*ISTPHCH1MTL

### Mini-Com® Modular Patch Panel

**8-port:** CDPP8RG

### DIN Rail Adapter

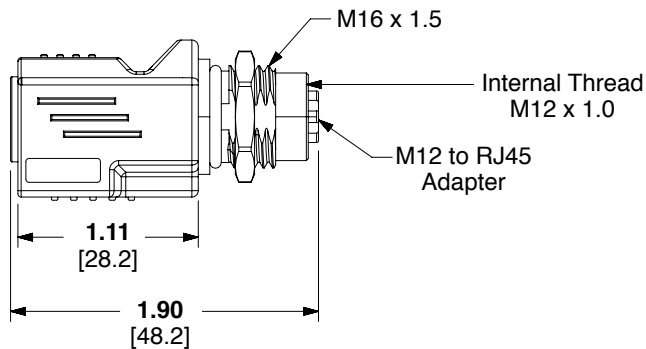
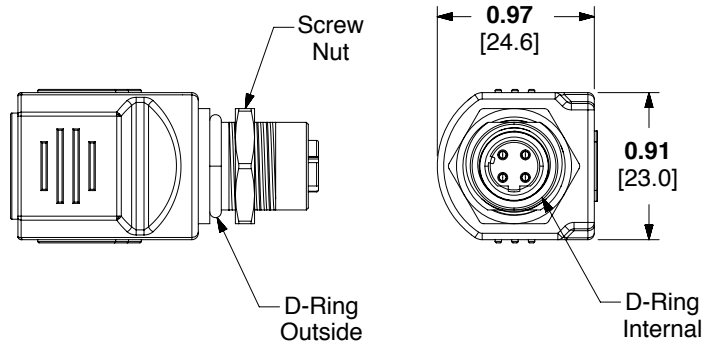
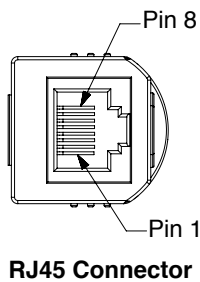
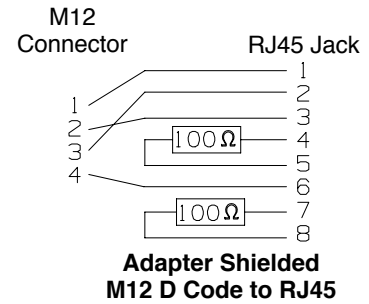
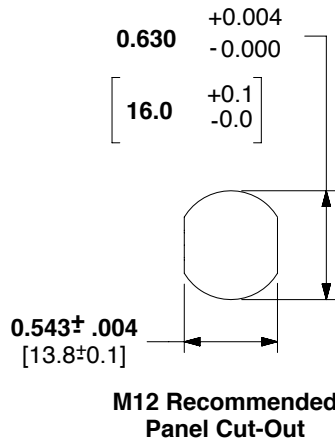
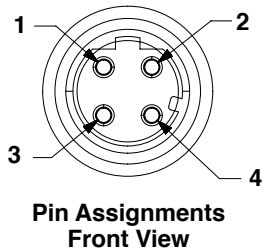
**1-port:** CADIN1IW\*\*\*

\*To designate color, add suffix TL (Teal), BL (Black), RD (Red), BU (Blue), GY (Gray), or YL (Yellow).

\*\*For other lengths, change the length designation (1M) of the part number to the desired length (0.3M, 0.6M, 2M, 3M, 5M, or 10M); to designate color, replace TL (Teal) suffix with BL (Black), RD (Red), or YL (Yellow). For example, the part number of a 2-meter teal patch cord is ISTPHCH2MTL.

\*\*\*For standard colors other than Off White, replace IW in part number with BL (Black), EI (Electric Ivory), IG (International Gray), or WH (White).

# IndustrialNet™ M12 D-Code to RJ45 Panel Mount Adapter



Dimensions are in inches. [Dimensions in brackets are metric].

## WORLDWIDE SUBSIDIARIES AND SALES OFFICES

PANDUIT US/CANADA  
Phone: 800.777.3300

PANDUIT EUROPE LTD.  
London, UK  
Phone: 44.20.8601.7200

PANDUIT SINGAPORE PTE. LTD.  
Republic of Singapore  
Phone: 65.6305.7575

PANDUIT JAPAN  
Tokyo, Japan  
Phone: 81.3.6863.6000

PANDUIT LATIN AMERICA  
Guadalajara, Mexico  
Phone: 52.33.3777.6000

PANDUIT AUSTRALIA PTY. LTD.  
Victoria, Australia  
Phone: 61.3.9794.9020

For a copy of Panduit product warranties, log on to [www.panduit.com/warranty](http://www.panduit.com/warranty)

For more information

Visit us at [www.panduit.com/ia](http://www.panduit.com/ia)  
[iai@panduit.com](mailto:iai@panduit.com)

**PANDUIT**®

©2016 Panduit Corp.  
ALL RIGHTS RESERVED.  
COSP337--WW-ENG  
2/2016